

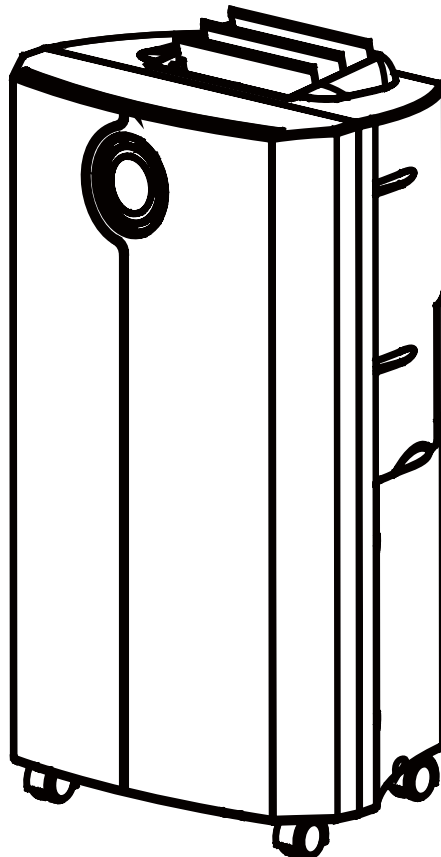


JHS8 TRADING COMPANY

## Owner's Manual

# Portable Air Conditioner

Model No: JHS-A004



It is important that you read these instructions before using your new purchase and we strongly recommend that you keep them in a safe place for future reference.

# Table of Contents

Safety Instructions .....	1-2
Specifications .....	3
Parts .....	4
Positioning .....	5
Control Panel .....	6
Remote Control .....	7
Operation .....	8
Emptying the Water Container .....	9
Cleaning .....	10
Troubleshooting .....	11

# Safety Instructions

## **IMPORTANT!**

- The unit is designed for indoor operation.
- The unit is not designed to cool server rooms, sun rooms, or a room generating constant high levels of heat.
- Rating: This unit must be connected to a 220-240V~/50Hz grounded outlet.
- The installation must be in accordance with regulations of the country where the unit is used.

If you are in any doubt about the electrical installation, have it checked and if necessary modified by a qualified electrician.

- Never connect the unit to an electrical outlet using an extension cord.  
If an outlet is not available, one should be installed by a licensed electrician.
- The air conditioner is safe. However, as with any electrical appliance, use it with care.
- Don't let little children touch the machine.
- Keep out of the reach of children.
- Do not clean the unit by spraying it or immersing it in water.
- Do not insert any object into the openings of the unit.
- Disconnect the unit from the outlet before cleaning the unit or any of its components.

## **WARNING!**

- Never operate this appliance if it has a damaged cord or plug.
- Do not lead the cord over sharp edges.
- A damaged supply cord should be replaced by the manufacturer, its service agent or a qualified person in order to avoid a hazard.
- Any service other than regular cleaning or filter replacement should be performed by an authorized service representative. Failure to do so could result in a loss of warranty.
- See warranty page to read about warranty requirements, procedure, and instructions.

# Safety Instructions

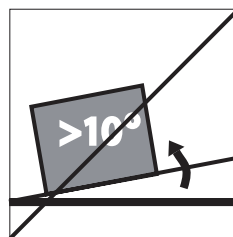
## Do not use your air conditioner:



If the power cable wires are frayed or cut



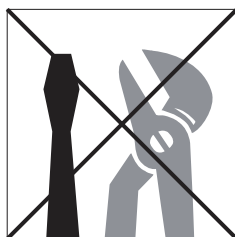
When small children may be left unattended



On a slope or uneven surface



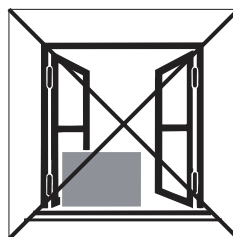
Close to a heat source



This products is not made for DIY repair



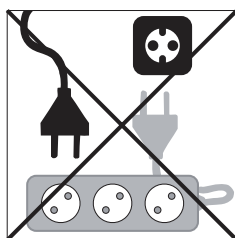
If there is a risk of liquid falling on the unit



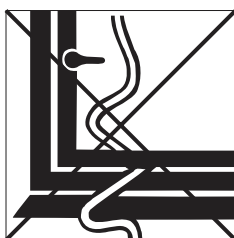
Inside unit exposed to the weather outdoors



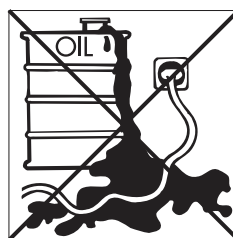
In a permanent very humid environment



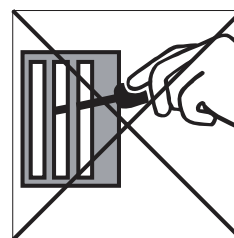
Do Not Connect the unit to extension cord.



Where the power cable may be damaged



Where it may be damaged by chemicals

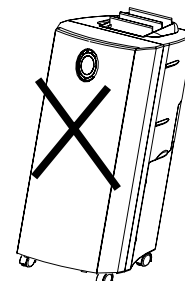
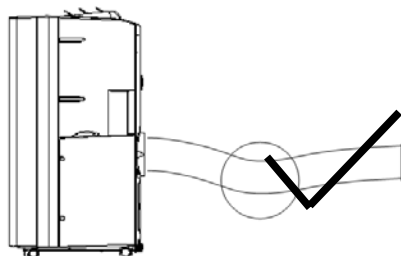
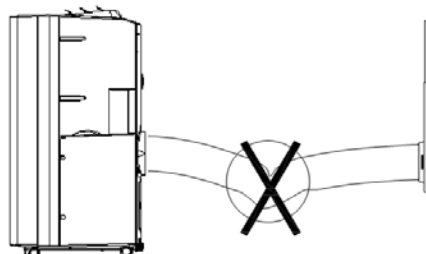


Where there is a risk of interference by foreign objects

## IMPORTANT:

The first time that you use the unit, please ensure that it has been standing in an upright position for at least 2 hours before it is switched on.

The unit is not to be used in temperatures under 5 °C or over 35 °C.



## Reminder:

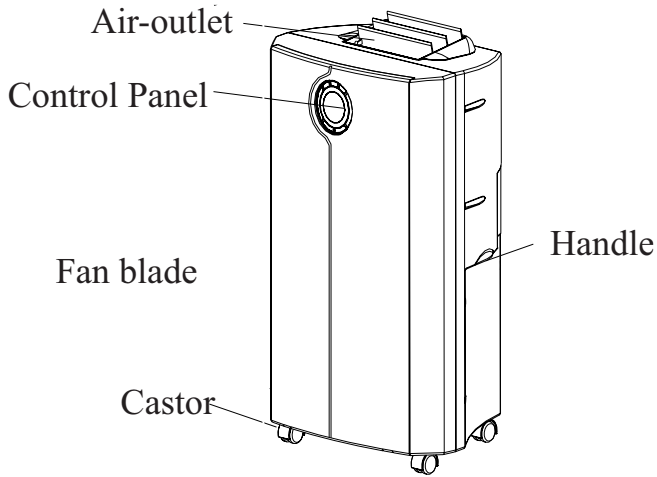
Unit Contains R410A. Waste electrical products must not be disposed of with household waste. This product should be taken to your local recycling center for safe treatment.

# Specifications

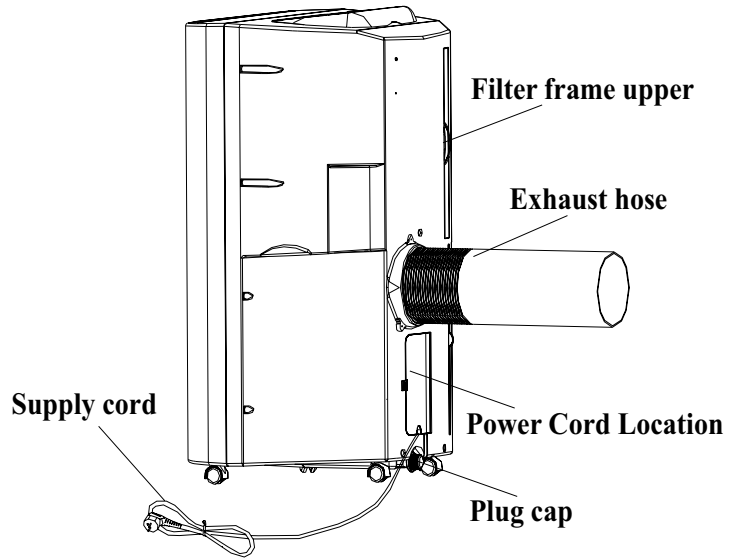
<b>Model</b>	<b>JHS-A004</b>
Cooling Capacity	14000BTU/h
Heating Capacity	N/A
Cooling Power Consumption / Current	1480W / 6.5A
Moisture Removal in Cooling mode	37L/day
Power Supply	220-240V~/50Hz
Refrigerant	R410A
Compressor	Rotary
Fan Speed	3 Speeds
Thermostat	18°C- 32°C
Ambient Temperature Range for Operation	5°C- 35°C
Timer	24 hour Timer
Dimensions	(W*H*D)500x415x815 mm
Weight	35kg/77.2lbs
<p>The cooling capacity of the unit may be affected by the height of your ceiling, quality of your insulation, or number of windows in your room. There is no current testing statute for portable air conditioning products in the Indonesia, yet we have made every effort to design engineer a superior quality portable air conditioning unit that effectively and efficiently cools select areas of the home or office.</p>	

# Parts

**Front Side**



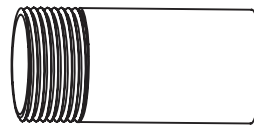
**Back Side**



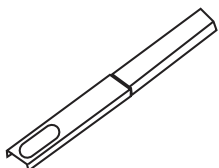
Check packing accessories and read your user's manual to learn how to use them.



Remote Control



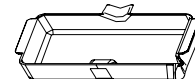
Exhaust Hose



Adjustable Window Slide Bar



Slide bar connector



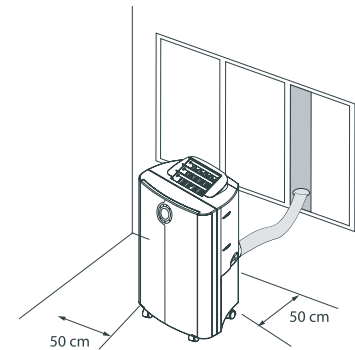
Water container

# Positioning

**WARNING !** Before using the air conditioner it should be left in an upright position for at least 2 hours.

This unit can easily be moved from one room to another. In doing so keep this in mind:

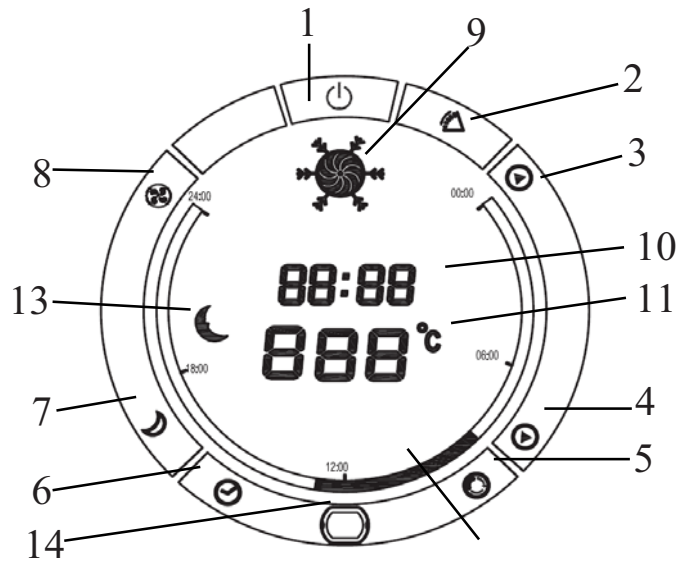
- Ensure that the unit is positioned upright, on a level surface and 50 cm away from obstacles.
- To place the loose filters in the filters holder.
  - . Take the filters holder out of the air conditioner
  - . Release the filters fixer and place the active carbon filter (black) and 3M High Air Flow in the filters holder.
  - . Place the filters fixer back in the holder.
  - . Place the filters holder back in the air conditioner.
- Do not operate the unit inside the bathroom, shower, or in any other very humid environment.
- Connect the hose to the unit by turning it clockwise (at least 5 turns).
- Similarly, connect the hose to the slide bar connector as far as possible.
- Place the telescopic slide bar in the open window or door and adjust the length to fill as much open space as possible.
- Put the slide bar connector in the opening in the telescopic slide bar.
- Close the window or door as much as possible to prevent outside air entering the room.
- Ensure that the slide bar connector has a free flow outside.



## IMPORTANT

The flexible exhaust hose can be extended from 660 to 2000 mm for mounting. This length has been designed especially according to the specifications of the air conditioner. Do not use an extension or exchange for a different hose as that may lead to malfunctioning. The exhaust air must flow freely, any blockage can lead to overheating of the air conditioner. Handle with care to prevent any kink or bend in the exhaust hose.

# Control Panel

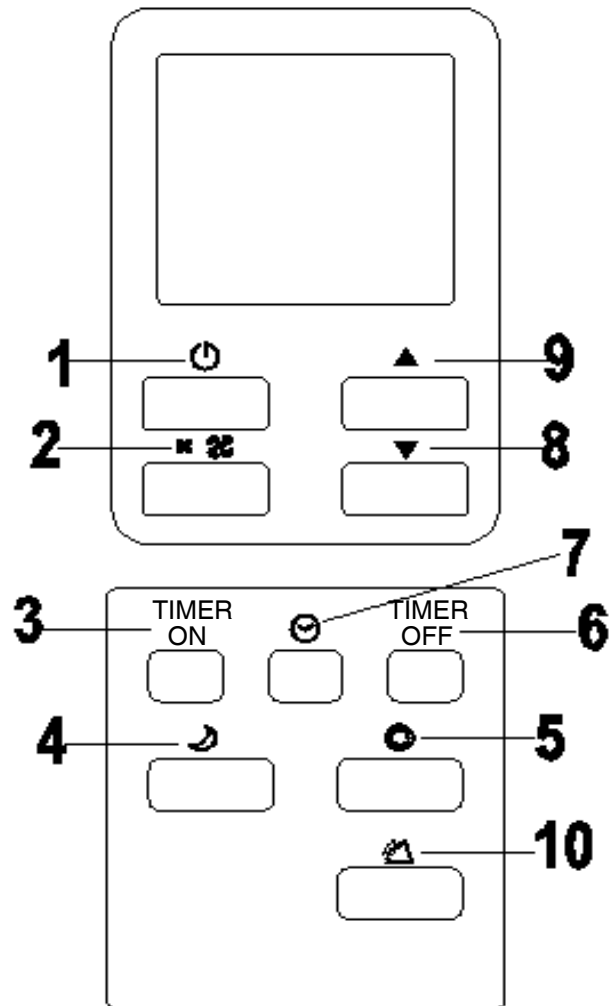


- |                          |                                     |
|--------------------------|-------------------------------------|
| 1. On/Off (Power) button | 8. Fan speed button                 |
| 2. Swing button          | 9. Fan speed indicator              |
| 3. Up button             | 10. Hours:Minutes Indicator         |
| 4. Down button           | 11. Temperature indicator           |
| 5. Mode button           | 12. Timer indicator                 |
| 6. Timer button          | 13. Sleep mode indicator            |
| 7. Sleep button          | 14. Remote control operation button |

1. **POWER:** Press this key to turn on/off machine.  
After machine turns on, default operation is cooling mode with low fan speed.
2. **MODE:** After machine turns on, for cooling only model, press this key to select cooling and fan mode.
3. **FAN:** After machine turns on, press this key to select fan speed (high and low).
4. **DOWN:** Under cooling mode, press this key to downward setting temperature from 18°C~32°C; under timer mode, press this key to downward on/off time.
5. **UP:** Under cooling mode, press this key to upward temperature from 18°C~32°C; under timer mode, press this key to upward on/off timer.
6. **TIMER:** Under power-on or standby mode, press this key to setup on/off time from 0~24 hours.
7. **SWING:** Press this button, the louvres will swing continuously up and down.  
Press it again the movement will stop and the louvres remain in that position.
8. **SLEEP:** under cooling mode, press this key to turn on/off sleeping function.



# Remote Control



- |              |          |             |             |           |
|--------------|----------|-------------|-------------|-----------|
| 1. Power     | 2. Fan   | 3. Timer ON | 4. Sleeping | 5. Mode   |
| 6. Timer OFF | 7. Timer | 8. Down     | 9. UP       | 10. Swing |

# Operation



## Cooling Mode

After machine turns on, default value is cooling mode with 22°C and low fan speed.

Press “MODE” to select cooling mode, cooling mode indicator turns on .

Press “UP” or “DOWN” to adjust temperature (from 18°C to 32°C).

Press “FAN” to select fan speed (low, high)

## Fan Mode

Press “MODE” to select fan mode, fan mode indicator turns on .

Press “FAN” to select fan speed (low, high)

Temperature and sleeping function cannot be setup.

## Timer Mode

Under standby mode, press “TIMER” to setup the power-on time, press “UP” and “DOWN” to adjust the timer (from 1 to 24 hours). Timer indicator turns on.

Under power-on mode, press “TIMER” to setup power-off timer.

Press “UP” and “DOWN” to adjust the timer (from 1 to 24 hours). Timer indicator turns on.

## Sleep Mode

The sleep mode function adjusts the set temperature of the unit to the thermal needs of the body falling asleep as follow:

.Default fan speed: LOW

Press this button to operate the sleep mode. Press it again in order to cancel the sleep mode.

The set temperature will increase 1C after 1 hour and a further 1C after 2 hours.

No FAN mode under SLEEP mode operation.

## Compressor Protection

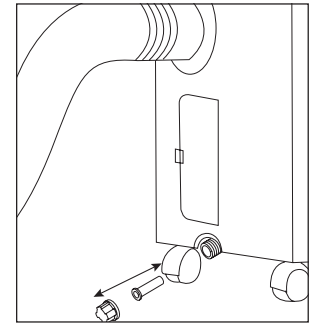
Three minutes later after power on / restart, compressor starts to run.

# Emptying the Water Container

**In case of the WATER FULL (W.F.) LED alert, the unit is required to be drained. At the end of AC Season, this unit should be drained prior to storage. In both situations, we recommend that you take the following steps.**

Switch off the unit and remove the plug from the outlet.

- Position a flat container or dish on the floor under the drain hole. Use container only for temporary draining of the unit, do not allow the water to drip continuously into the container, as it might easily overflow.
- Remove the drain knob.
- Remove the rubber plug, the water will flow in the container. When this is nearly full, replace the plug to stop the water flow and empty it. Repeat this process until all water has been removed.
- For seasonal storage purposes, put the unit ON in fan mode on a warm, dry day for a couple of hours to ensure that the inside can dry out completely. We also recommend allowing the unit to air dry for a period of 24 hours without the drain plug and cap in place.
- Insert the rubber plug into the drain hole firmly, the WATER FULL LED (W.F.) should not flash any longer.
- Screw on the drain knob.



## **Additional maintenance/tasks prior to storage.**

- Clean the filters.
- Store the power cable as shown, protect the unit against dust (put back into its original carton) and store in a dry place not accessible for children.
- To protect the unit against dust, store in a dry place not accessible by children
- Do not stock heavy objects on top of the unit

# Cleaning

Always unplug the unit from the power supply (wall outlet) before beginning the cleaning.

## **Housing**

Use a soft, damp cloth to wipe the body clean. Never use strong chemicals, oil-based products, detergents, chemically treated cloths or other cleaning solutions. These could possibly damage the housing.

## **Filter**

Clean the filters every two weeks, if filters are blocked by dust, machine efficiency will be reduced.

Use a vacuum cleaner or tap the filter lightly to remove loose dust and dirt from the filters and then rinse them thoroughly under running water (not warmer than 31°C).

Dry thoroughly with a soft cloth before inserting them back into the unit.

# Troubleshooting

**Never try to repair or dismantle the air condition yourself.**

**Incompetent repairs result in loss of warranty and can endanger the user and the property.**

Problem	Cause	Solution
The air conditioner does not function.*	No power supply. Make sure the green light on the plug is lit.	Connect to a functioning outlet and switch on. See below for Plug and Reset button application.
	Is the power light flashing? Is the water full LED lit?	Empty the water container (See pg. 9).
The air conditioner does not seem to perform.	The unit is in direct sunlight.	Close curtains/shades
	Windows or doors open, many people or a heat source in the room.	Close doors and windows. Unit is not made to cool server rooms, sun rooms, or any rooms generating a constant high levels of heat.
	The filter is dirty.	Clean the filter (See pg. 10).
	Air inlet or air outlet blocked.	Power off the unit and unplug from outlet. Remove blockage.
	Room temperature lower than the selected value.	Change temperature selection. Set at the lowest possible setting: 16°C.
The unit is noisy.	Unit stands uneven.	Place on an even, solid surface (less vibrations).
The compressor does not work.	The overheat protection may be activated.	Wait 30 minutes until the temperature has decreased, then turn on the unit again.
The remote control does not function.	Distance too great.	Make sure the remote control is correctly aimed at the control panel.
	Remote control signal not detected by the control panel.	
	The batteries are drained.	Check batteries on the remote control.

**Note: When abnormal situations occur, turn off machine and pull out plug, then contact with professional electrician for help**

\* Make sure unit is plugged directly into a dedicated electrical source/outlet. Do not use any extension cords. See electrical specifications listed on page 3 and make sure the electrical source can accommodate the unit's energy consumption.